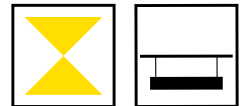




# HELTER SKELTER

PENDANT/CEILING LIGHT



## KEY FEATURES

- Suspended mounting
- 2 different sizes 500 and 900 base diameter.
- A choice of 2700K, 3000K, 3500K or 4000K CCT
- A range of dimming/control options including Fixed Output, 1-10V, DALI, Touch-Dim or Casambi control
- CRI >90 high quality LED's
- Integrated 3 hour emergency conversions available
- Anodised Black, Anodised Aluminium finishes



**CASAMBI**

**60 YEARS  
IN LIGHT**

**FOR MORE INFORMATION  
OR TO TALK ABOUT A PROJECT:**

CALL: +44 (0) 1235 55 37 69  
EMAIL: [sales@optelma.co.uk](mailto:sales@optelma.co.uk)

ISSUE DATE: 01/02/21

**HEAD OFFICE**  
The Science Park  
Abingdon  
Oxfordshire  
OX14 3YT

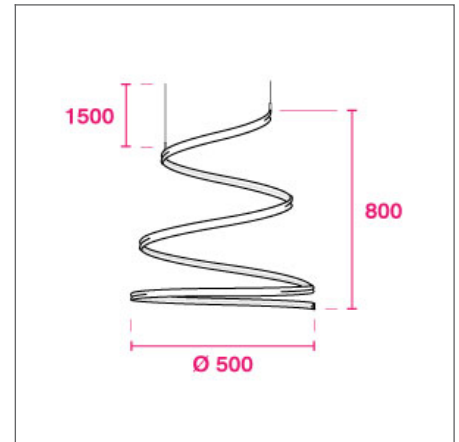
**SHOWROOM**  
23 Bowling Green Lane  
Clerkenwell  
London  
EC1R 0BD

**PARIS OFFICE**  
28 Rue Charles  
Baudelaire  
75012 Paris  
France

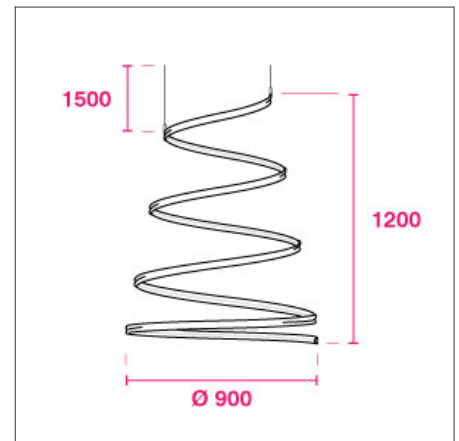
**SWISS OFFICE**  
St. Urbangasse 53  
Postfach 1738  
CH-4502 Solothurn  
Switzerland

## HELTER SKELTER SPECIFICATIONS

PRODUCT OPTIONS	
Dimensions (mm):	Choose From The Table Below
Cut-out (mm):	N/A
Lifetime:	50,000 hrs
Mounting type:	Suspended Parallel, Suspended Central
Finish:	Anodised Aluminium, Anodised Black
Emergency:	DALI or Standard 3 hour emergency conversion
Operating voltage:	230V
IP Rating:	IP20
Light source:	Medium Power LED
Driver:	Fixed Output, 1-10V, DALI, Touch Dim, Casambi control
Colour temperature:	2700K, 3000K, 3500K, 4000K
Beam Angle:	N/A
Diffuser:	
CRI:	> 90
Optional Extras:	RGB, RGBW, Tuneable White LED tape



MEDIUM DIMENSIONS (MM)



LARGE DIMENSIONS (MM)

### ■ CHOOSE A SIZE TO MATCH YOUR PROJECT

Diameter x Height (mm)	Lumens/Watt *	Weight (kg)
500 x 800	7200 lm / 72 W	1.9 kg
900 x 1200	14400 lm / 144 W	3.7 kg

\* Luminaire luminous flux at 4000K.



**CASAMBI**

**60 YEARS  
IN LIGHT**

#### FOR MORE INFORMATION OR TO TALK ABOUT A PROJECT:

CALL: +44 (0) 1235 55 37 69  
EMAIL: [sales@optelma.co.uk](mailto:sales@optelma.co.uk)

ISSUE DATE: 01/02/21

**HEAD OFFICE**  
The Science Park  
Abingdon  
Oxfordshire  
OX14 3YT

**SHOWROOM**  
23 Bowling Green Lane  
Clerkenwell  
London  
EC1R 0BD

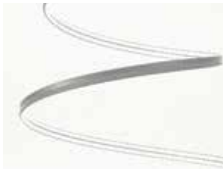
**PARIS OFFICE**  
28 Rue Charles  
Baudelaire  
75012 Paris  
France

**SWISS OFFICE**  
St. Urbangasse 53  
Postfach 1738  
CH-4502 Solothurn  
Switzerland

---

## HELTER SKELTER COMPONENTS

---



**ANODISED ALUMINIUM**  
Satin anodised finish.



**ANODISED BLACK**  
Satin anodised black finish.



**CEILING ROSE**  
Stainless steel cable



**CASAMBI**

**60 YEARS  
IN LIGHT**

---

**FOR MORE INFORMATION  
OR TO TALK ABOUT A PROJECT:**

CALL: +44 (0) 1235 55 37 69  
EMAIL: [sales@optelma.co.uk](mailto:sales@optelma.co.uk)

ISSUE DATE: 01/02/21

**HEAD OFFICE**  
The Science Park  
Abingdon  
Oxfordshire  
OX14 3YT

**SHOWROOM**  
23 Bowling Green Lane  
Clerkenwell  
London  
EC1R 0BD

**PARIS OFFICE**  
28 Rue Charles  
Baudelaire  
75012 Paris  
France

**SWISS OFFICE**  
St. Urbangasse 53  
Postfach 1738  
CH-4502 Solothurn  
Switzerland

## HELTER SKELTER SPECIFICATION CODE

AAAA - BB/C/D/E - F/GGG - HHHH/I								
AAAA PRODUCT ID	BB MOUNTING	C FINISH	D DRIVER	E DIFFUSER	F DIRECT LED	GGG CRI / COLOUR	HHH DIAMETER / SIZE (mm)	I EMERGENCY
HS50 HS90	SP SC	A	F D 1 T		M	927 930 935 940	500 900	E DE

*	<b>X'</b> Custom Options - specify details alongside code
PRODUCT ID	<b>HS50'</b> Helter Skelter 500, <b>HS90'</b> Helter Skelter 900
MOUNTING	<b>SP'</b> Suspended Parallel, <b>SC'</b> Suspended Central
FINISH	<b>A'</b> Anodised (Black or Silver)
DRIVER	<b>F'</b> Fixed Output, <b>D'</b> DALI, <b>1'</b> 1-10V, <b>T'</b> Touch Dim
DIFFUSER	
DIRECT LED	<b>M'</b> Medium power LED
CRI / COLOUR	<b>927'</b> CRI 90+ Colour 2700K, <b>930'</b> CRI 90+ Colour 3000K, <b>935'</b> CRI 90+ Colour 3500K, <b>940'</b> CRI 90+ Colour 4000K
DIAMETER / SIZE	Diameter/Size in millimetres
EMERGENCY	<b>E'</b> Standard Integrated Emergency, <b>DE'</b> DALI Integrated Emergency, - specify details alongside code

### STANDARD

Standard fixed option products for quick and easy specification. Point source LED and Linear LED solutions, organised into Track & Spots, Downlights, Recessed, Surface, Suspended and Wall mounted solutions.

### MADE-TO-MEASURE

Versatile systems and luminaires with custom specifications for project-specific lighting. Available in custom sizes and lengths, with many options including curves, corners, finishes, integrated accessories and more.

### BESPOKE

Bespoke luminaires demonstrating completely custom project solutions, designed with the clients from concept to delivery. Learn about the design process and inspire your next bespoke lighting project.



**CASAMBI**

**60 YEARS  
IN LIGHT**

#### FOR MORE INFORMATION OR TO TALK ABOUT A PROJECT:

CALL: +44 (0) 1235 55 37 69  
EMAIL: [sales@optelma.co.uk](mailto:sales@optelma.co.uk)

ISSUE DATE: 01/02/21

**HEAD OFFICE**  
The Science Park  
Abingdon  
Oxfordshire  
OX14 3YT

**SHOWROOM**  
23 Bowling Green Lane  
Clerkenwell  
London  
EC1R 0BD

**PARIS OFFICE**  
28 Rue Charles  
Baudelaire  
75012 Paris  
France

**SWISS OFFICE**  
St. Urbangasse 53  
Postfach 1738  
CH-4502 Solothurn  
Switzerland