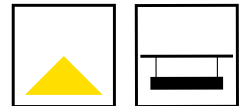




# JOSEPH

PENDANT/CEILING LIGHT



## KEY FEATURES

- Suspended decorative felt luminaires
- 200mm, 450mm and 700mm diameter shades
- Suspended from a central ceiling rose
- E27 lamps (Led, Fluo, Incandescent)
- Fixed Output or dimmable (dependant on lamp choice)
- Light grey, brown grey, Anthracite or Mixed felt segments.



**60 YEARS  
IN LIGHT**

**FOR MORE INFORMATION  
OR TO TALK ABOUT A PROJECT:**

CALL: +44 (0) 1235 55 37 69  
EMAIL: [sales@optelma.co.uk](mailto:sales@optelma.co.uk)

ISSUE DATE: 17/12/20

**HEAD OFFICE**  
The Science Park  
Abingdon  
Oxfordshire  
OX14 3YT

**SHOWROOM**  
23 Bowling Green Lane  
Clerkenwell  
London  
EC1R 0BD

**PARIS OFFICE**  
28 Rue Charles  
Baudelaire  
75012 Paris  
France

**SWISS OFFICE**  
St. Urbangasse 53  
Postfach 1738  
CH-4502 Solothurn  
Switzerland

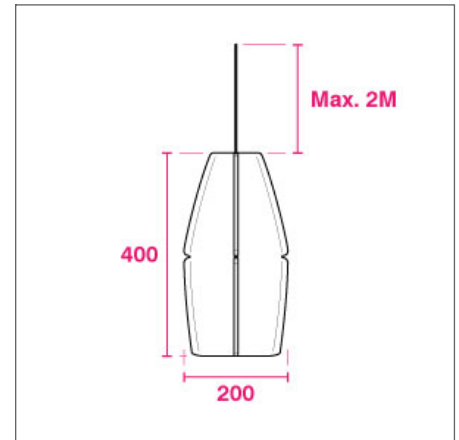
## JOSEPH PENDANT SPECIFICATIONS

PRODUCT OPTIONS	
Dimensions (mm):	200 (Ø) x 400 (H), 450 (Ø) x 350 (H), 700 (Ø) x 300 (H)
Lifetime:	50,000 hrs
Mounting type:	Suspended
Finish (Ribbon):	Light Grey, Anthracite grey, Brown-grey or Mixed segments
Emergency:	N/A
Weight:	up to 1.5 kg
Operating voltage:	100-240V AC 50-60Hz
IP Rating:	IP20
Light source:	E27 LED bulb (LAMPS NOT INCLUDED)
Driver:	Fixed Output, Dimmable (dependant on lamp choice)
Colour temperature:	2700K (dependant on lamp choice)
Beam Angle:	N/A
Diffuser:	Felt Lampshade
CRI:	CRI 80
Optional Extras:	LAMP NOT INCLUDED

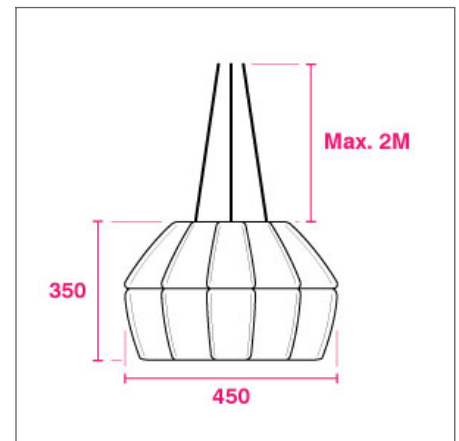
### ■ CHOOSE A SIZE TO SUIT YOUR PROJECT

Diameter/Height (mm)	Source	Output (lm / W)*	Weight (kg)
200 (Ø) x 400 (H)	1 x E27 lamp	1521 lm / 13 W	1.3 kg
450 (Ø) x 350 (H)	1 x E27 lamp	1521 lm / 13 W	1.3 kg
700 (Ø) x 300 (H)	1 x E27 lamp	1521 lm / 13 W	1.5 kg

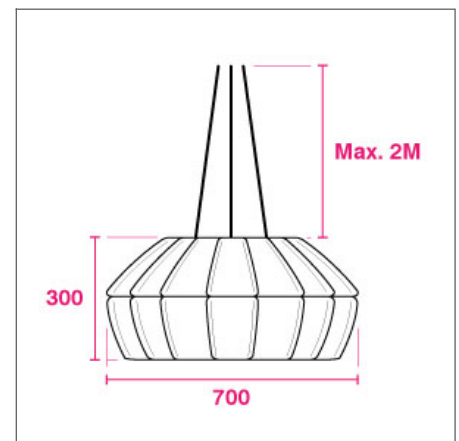
\* Source Lumens at 2700K based on Phillips E27 13W LED Bulb. LAMPS NOT INCLUDED.



SUSPENDED DIMENSIONS (MM)



SUSPENDED DIMENSIONS (MM)



SUSPENDED DIMENSIONS (MM)



**60 YEARS**  
**IN LIGHT**

#### FOR MORE INFORMATION OR TO TALK ABOUT A PROJECT:

CALL: +44 (0) 1235 55 37 69  
EMAIL: sales@optelma.co.uk  
ISSUE DATE: 17/12/20

**HEAD OFFICE**  
The Science Park  
Abingdon  
Oxfordshire  
OX14 3YT

**SHOWROOM**  
23 Bowling Green Lane  
Clerkenwell  
London  
EC1R 0BD

**PARIS OFFICE**  
28 Rue Charles  
Baudelaire  
75012 Paris  
France

**SWISS OFFICE**  
St. Urbangasse 53  
Postfach 1738  
CH-4502 Solothurn  
Switzerland

**JOSEPH PENDANT COMPONENTS**



**SMALL PENDANT**  
Small 200mm diameter Pendant in Anthracite grey.



**MEDIUM PENDANT**  
Medium 450mm diameter Pendant in Anthracite grey.



**LARGE PENDANT**  
Large 700mm diameter Pendant in Mixed grey finish.



**LIGHT GREY**  
Felt segments in light grey finish.



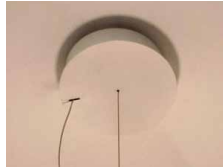
**ANTHRACITE GREY**  
Felt segments in dark grey anthracite finish.



**BROWN GREY**  
Felt segments in Brown grey finish.



**MIXED GREY**  
Mixed segments of Light, Brown and Anthracite grey.



**CENTRAL CEILING ROSE**  
Central ceiling rose suspension and power cable.



**PHILIPS**

**E27 LAMPS NOT INCLUDED**  
For the E27 version, lamps are not included.



**60 YEARS  
IN LIGHT**

**FOR MORE INFORMATION  
OR TO TALK ABOUT A PROJECT:**

CALL: +44 (0) 1235 55 37 69  
EMAIL: [sales@optelma.co.uk](mailto:sales@optelma.co.uk)  
ISSUE DATE: 17/12/20

**HEAD OFFICE**  
The Science Park  
Abingdon  
Oxfordshire  
OX14 3YT

**SHOWROOM**  
23 Bowling Green Lane  
Clerkenwell  
London  
EC1R 0BD

**PARIS OFFICE**  
28 Rue Charles  
Baudelaire  
75012 Paris  
France

**SWISS OFFICE**  
St. Urbangasse 53  
Postfach 1738  
CH-4502 Solothurn  
Switzerland

**JOSEPH PENDANT SPECIFICATION CODE**

AAAA - BB/C/D/E - F/GGG - F/GGG - HHHH/I								
AAAA PRODUCT ID	BB MOUNTING	C FINISH	D DRIVER	E DIFFUSER	F DIRECT LED	GGG CRI / COLOUR	HHH DIAMETER / SIZE (mm)	I EMERGENCY
JOSE	SU	L A B M	F D	F	E	827 XXX*	0200 0450 0700	

- \* **X** Custom Options - specify details alongside code
- PRODUCT ID **JOSE** Joseph Pendant
  - MOUNTING **SU** Suspended Pendant
  - FINISH **L** Light Grey Felt, **A** Anthracite Grey Felt, **B** Brown-Grey Felt, **M** Mixed Felt Segments
  - DRIVER **F** Fixed Output, **D** Dimmable
  - DIFFUSER **F** Felt Lampshade
  - DIRECT LED **E** E27 version (lamps not included)
  - CRI / COLOUR **827** CRI 80+ Colour 2700K
  - DIAMETER / SIZE Length/Size/Height in millimetres
  - EMERGENCY N/A

**STANDARD**

Standard fixed option products for quick and easy specification. Point source LED and Linear LED solutions, organised into Track & Spots, Downlights, Recessed, Surface, Suspended and Wall mounted solutions.

**MADE-TO-MEASURE**

Versatile systems and luminaires with custom specifications for project-specific lighting. Available in custom sizes and lengths, with many options including curves, corners, finishes, integrated accessories and more.

**BESPOKE**

Bespoke luminaires demonstrating completely custom project solutions, designed with the clients from concept to delivery. Learn about the design process and inspire your next bespoke lighting project.



**60 YEARS  
IN LIGHT**

**FOR MORE INFORMATION  
OR TO TALK ABOUT A PROJECT:**

CALL: +44 (0) 1235 55 37 69  
EMAIL: sales@optelma.co.uk

ISSUE DATE: 17/12/20

**HEAD OFFICE**  
The Science Park  
Abingdon  
Oxfordshire  
OX14 3YT

**SHOWROOM**  
23 Bowling Green Lane  
Clerkenwell  
London  
EC1R 0BD

**PARIS OFFICE**  
28 Rue Charles  
Baudelaire  
75012 Paris  
France

**SWISS OFFICE**  
St. Urbangasse 53  
Postfach 1738  
CH-4502 Solothurn  
Switzerland