



# LINK

PENDANT/CEILING LIGHT



## KEY FEATURES

- Surface, Suspended mounting
- 4 different sizes ranging from 600mm to 1500mm diameters
- Ambient lighting with a choice of 2700K, 3000K or 4000K colour temperatures
- A range of dimming/control options including Fixed Output, 1-10V, DALI or Touch-Dim
- CRI >80 as standard, with >90 on request
- Integrated 3 hour emergency conversions available
- Matt White, Matt Black and Matt Silver finishes



**CASAMBI**

**60 YEARS  
IN LIGHT**

**FOR MORE INFORMATION  
OR TO TALK ABOUT A PROJECT:**

CALL: +44 (0) 1235 55 37 69  
EMAIL: [sales@optelma.co.uk](mailto:sales@optelma.co.uk)

ISSUE DATE: 16/02/21

**HEAD OFFICE**  
The Science Park  
Abingdon  
Oxfordshire  
OX14 3YT

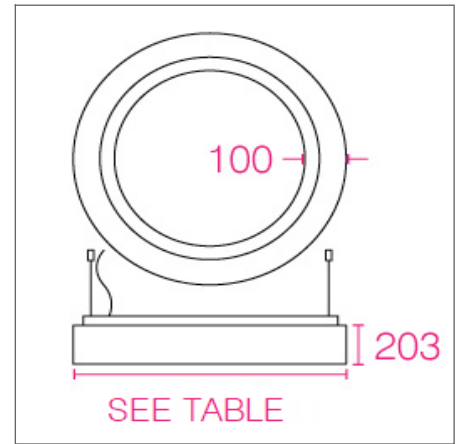
**SHOWROOM**  
23 Bowling Green Lane  
Clerkenwell  
London  
EC1R 0BD

**PARIS OFFICE**  
28 Rue Charles  
Baudelaire  
75012 Paris  
France

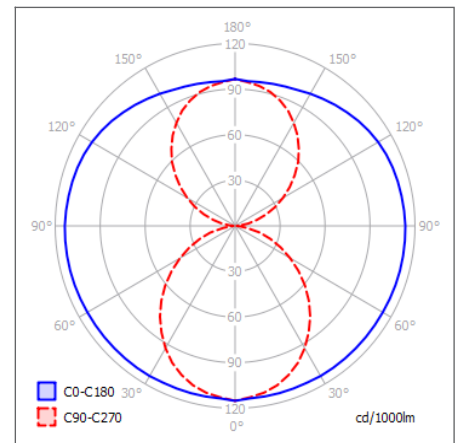
**SWISS OFFICE**  
St. Urbangasse 53  
Postfach 1738  
CH-4502 Solothurn  
Switzerland

**LINK SPECIFICATIONS**

PRODUCT OPTIONS	
Dimensions (mm):	100 (W) x 203 (H) x Various Diameters (below)
Cut-out (mm):	
Lifetime:	50,000 hrs
Mounting type:	Surface, Suspended Parallel, Suspended Central
Finish:	Matt White, Matt Black, Matt Silver
Emergency:	DALI or Standard 3 hour emergency conversion
Operating voltage:	230V
IP Rating:	IP20
Light source:	Medium Power LED
Driver:	Fixed Output, 1-10V, DALI, Touch Dim.
Colour temperature:	2700K, 3000K, 4000K
Beam Angle:	N/A
Diffuser:	Opal, MPO
CRI:	> 80
Optional Extras:	



CROSS-SECTION DIMENSIONS (MM)



POLAR CURVE 4000K 600mm

**CHOOSE A SIZE TO MATCH YOUR PROJECT**

Diameter (mm)	OPAL Lumens/Watt *	Weight (kg)
600	3400 lm / 82 W	11.5 kg
900	5100 lm / 123 W	18.2 kg
1200	6800 lm / 163 W	22.8 kg
1500	8500 lm / 204 W	29.1 kg

\* Luminaire luminous flux at 4000K.



**FOR MORE INFORMATION OR TO TALK ABOUT A PROJECT:**

CALL: +44 (0) 1235 55 37 69  
EMAIL: sales@optelma.co.uk  
ISSUE DATE: 16/02/21

**HEAD OFFICE**  
The Science Park  
Abingdon  
Oxfordshire  
OX14 3YT

**SHOWROOM**  
23 Bowling Green Lane  
Clerkenwell  
London  
EC1R 0BD

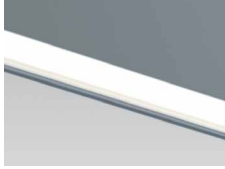
**PARIS OFFICE**  
28 Rue Charles  
Baudelaire  
75012 Paris  
France

**SWISS OFFICE**  
St. Urbangasse 53  
Postfach 1738  
CH-4502 Solothurn  
Switzerland

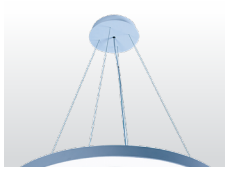
## LINK COMPONENTS



**MATT WHITE**  
Powder-coated Matt  
White RAL 9016  
painted finish.



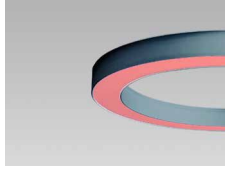
**OPAL DIFFUSER**  
Opal polycarbonate  
diffuser.



**CENTRAL  
SUSPENSION**  
Stainless steel cable,  
Max height 4000mm.  
Only available for  
sizes 600 - 2000mm.



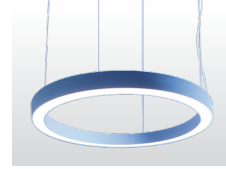
**MATT BLACK**  
Powder-coated Matt  
Black RAL 9005  
painted finish.



**RGBW DIRECT  
LIGHTING**  
Colour lighting  
options available.



**MATT SILVER**  
Powder-coated Matt  
Silver RAL 9006  
painted finish.



**PARALLEL  
SUSPENSION**  
Stainless steel cable,  
Max height 4000mm.



**CASAMBI**

**60 YEARS  
IN LIGHT**

**FOR MORE INFORMATION  
OR TO TALK ABOUT A PROJECT:**

CALL: +44 (0) 1235 55 37 69  
EMAIL: [sales@optelma.co.uk](mailto:sales@optelma.co.uk)

ISSUE DATE: 16/02/21

**HEAD OFFICE**  
The Science Park  
Abingdon  
Oxfordshire  
OX14 3YT

**SHOWROOM**  
23 Bowling Green Lane  
Clerkenwell  
London  
EC1R 0BD

**PARIS OFFICE**  
28 Rue Charles  
Baudelaire  
75012 Paris  
France

**SWISS OFFICE**  
St. Urbangasse 53  
Postfach 1738  
CH-4502 Solothurn  
Switzerland

## LINK SPECIFICATION CODE

AAAA - BB/C/D/E - F/GGG - HHHH/I								
AAAA PRODUCT ID	BB MOUNTING	C FINISH	D DRIVER	E DIFFUSER	F DIRECT LED	GGG CRI / COLOUR	HHH DIAMETER / SIZE (mm)	I EMERGENCY
LK06	SM	B	F	O	M	827	0600	E
LK09	SC	W	D	M		830	0900	DE
LK12	SP	S	1			840	1200	
LK15		X*	T				1500	

- \* **X** Custom Options - specify details alongside code
- PRODUCT ID **'LK06'** Link 600, **'LK09'** Link 900, **'LK12'** Link 1200, **'LK15'** Link 1500
- MOUNTING **'SM'** Surface Mounted, **'SC'** Suspended Central, **'SP'** Suspended Parallel
- FINISH **'B'** Matt Black, **'W'** Matt White, **'S'** Matt Silver
- DRIVER **'F'** Fixed Output, **'D'** DALI, **'1'** 1-10V, **'T'** Touch Dim
- DIFFUSER **'O'** Opal, **'M'** MPO
- DIRECT LED **'M'** Medium power LED
- CRI / COLOUR **'827'** CRI 80+ Colour 2700K, **'830'** CRI 80+ Colour 3000K, **'840'** CRI 80+ Colour 4000K
- DIAMETER / SIZE Diameter/Size in millimetres
- EMERGENCY **'E'** Standard Integrated Emergency, **'DE'** DALI Integrated Emergency, - specify details alongside code

### STANDARD

Standard fixed option products for quick and easy specification. Point source LED and Linear LED solutions, organised into Track & Spots, Downlights, Recessed, Surface, Suspended and Wall mounted solutions.

### MADE-TO-MEASURE

Versatile systems and luminaires with custom specifications for project-specific lighting. Available in custom sizes and lengths, with many options including curves, corners, finishes, integrated accessories and more.

### BESPOKE

Bespoke luminaires demonstrating completely custom project solutions, designed with the clients from concept to delivery. Learn about the design process and inspire your next bespoke lighting project.



**CASAMBI**

**60 YEARS  
IN LIGHT**

#### FOR MORE INFORMATION OR TO TALK ABOUT A PROJECT:

CALL: +44 (0) 1235 55 37 69  
EMAIL: sales@optelma.co.uk

ISSUE DATE: 16/02/21

**HEAD OFFICE**  
The Science Park  
Abingdon  
Oxfordshire  
OX14 3YT

**SHOWROOM**  
23 Bowling Green Lane  
Clerkenwell  
London  
EC1R 0BD

**PARIS OFFICE**  
28 Rue Charles  
Baudelaire  
75012 Paris  
France

**SWISS OFFICE**  
St. Urbangasse 53  
Postfach 1738  
CH-4502 Solothurn  
Switzerland