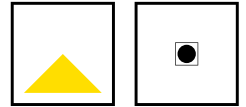




PUCK

RECESSED/HANDRAIL LIGHTING



KEY FEATURES

- Miniature Ø16mm snap-in IP65 lighting solution
- IK10 tamper-proof fitting, removed only with special tool
- 316 Stainless Steel finish with Curved or Flat front face
- CREE 1.4W LED Source
- CRI 80+ with 3 Step Macadam Ellipse
- Standard 70°, Asymmetric 75° and other beam angles
- 3000K or 4000K CCT as standard, with others on request
- Fixed Output, 1-10V, DALI, DMX, Zigbee or Casambi Control
- PUCK SOLO with integrated heatsink for non-metallic surfaces



CASAMBI

**60 YEARS
IN LIGHT**

**FOR MORE INFORMATION
OR TO TALK ABOUT A PROJECT:**

CALL: +44 (0) 1235 55 37 69
EMAIL: sales@optelma.co.uk

ISSUE DATE: 27/07/20

HEAD OFFICE
The Science Park
Abingdon
Oxfordshire
OX14 3YT

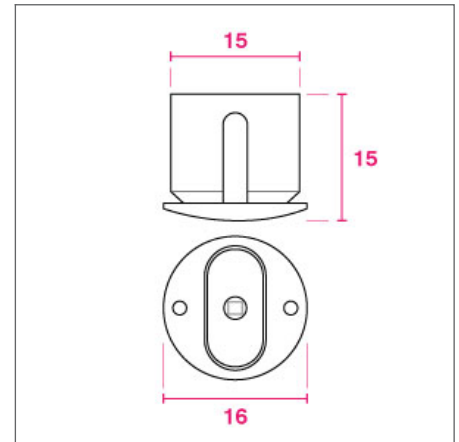
SHOWROOM
23 Bowling Green Lane
Clerkenwell
London
EC1R 0BD

FRANCE
28 Rue Charles
Baudelaire
75012 Paris
France

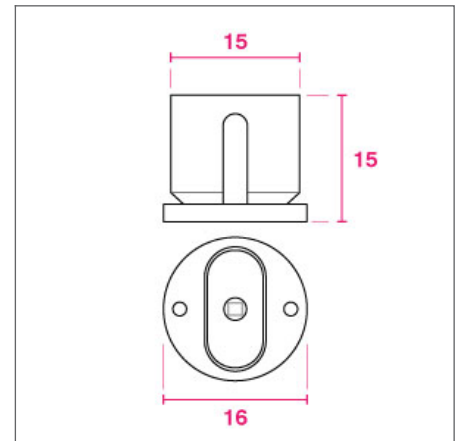
SWITZERLAND
St. Urbangasse 53
Postfach 1738
CH-4502 Solothurn
Switzerland

PUCK LIGHTING SOLUTION SPECIFICATIONS

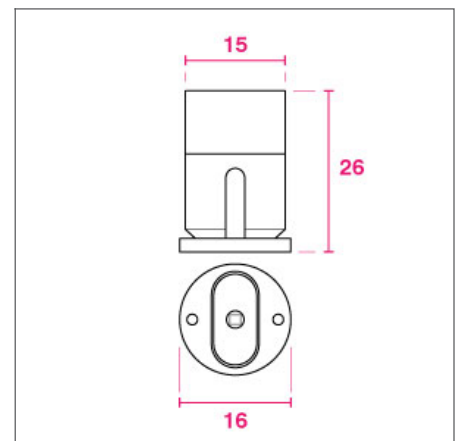
PRODUCT OPTIONS	
Dimensions:	Ø16 x 15mm (H)* (SOLO=26mm (H) with integrated heatsink)
Cut-out:	Ø15mm (Counterbore Ø16 x 1.6mm for flush finish)
Weight:	< 1.0 kg
Lifetime:	$B_{50} L_{70} > 100,000h$
Mounting type:	Recessed (Flat Face), Handrail (Curved Face)
Finish:	316 Stainless Steel Electropolished (Brass on request)
Emergency:	N/A
Operating voltage:	230V (wired in series) with CoolsplICE connector
IP Rating:	IP65 IK10 (IP67 Borosilicate glass versions on request), or IP68
Light source:	CREE LED (3-step MacAdam Ellipse)
Source Lumens:	200 lm
Delivered Lumens:	<i>Varies - see table below</i>
Power:	1.4 W 500mA (Forward Voltage 2.8Vf)
Efficiency:	up to 129 lm/W
Driver:	Fixed Output, 1-10V, DALI, DMX, Zigbee, Casambi
Colour temperature:	3000K, 4000K, RGBW (W: 4000K), Tuneable White (2700K-6500K)
Beam Angle:	Standard 70°, Asymmetric 75°, Wide-beam 105°, Lens 23°/ 42°/ 80°
Diffuser:	Polycarbonate Optic IK10 (Borosilicate glass on request)
CRI:	80+ (90+ only on request)
Optional Extras:	*IP67 Borosilicate optic, CRI90 LED, 2700K/3500K or custom CCT



PUCK SNAP CURVED DIMENSIONS (MM)



PUCK SNAP FLAT DIMENSIONS (MM)



PUCK SOLO DIMENSIONS (MM)

CHOOSE THE PERFECT PUCK:

Product	Dimensions	Beam	Output**	Face Shape
SOLO* Standard	Ø16 x 26mm	70°	170/180lm	Flat only
SOLO* Asymmetric	Ø16 x 26mm	75° Asymm.	165/175lm	Flat only
SOLO* RGBW	Ø16 x 26mm	70°	180lm	Flat/Curved
SNAP Standard	Ø16 x 15mm	70°	170/180lm	Flat/Curved
SNAP Asymmetric	Ø16 x 15mm	75° Asymm.	165/175lm	Flat/Curved
SNAP Tuneable White	Ø16 x 15mm	70°	170/180lm	Flat/Curved
SNAP WIDE Beam	Ø16 x 15mm	105°	172/182lm	Flat/Curved
SNAP ZERO (Low-glare)	Ø16 x 15mm	75° Asymm.	92/101lm	Flat/Curved
SNAP Aperture (low-spill)	Ø16 x 15mm	70° Asymm.	108/144lm	Flat/Curved
SNAP IP68 Standard	Ø16 x 15mm	60°	122/130lm	Flat/Curved
SNAP IP68 Asymmetric	Ø16 x 15mm	85° Asymm.	117/125lm	Flat/Curved
SNAP LENS (round beam)	Ø16 x 15mm	23°/ 42°/ 80°	166/176lm	Flat only

*PUCK SOLO version is for non-metallic surfaces where an integrated heatsink is required.

**Delivered lumens at 3000K / 4000K.



CASAMBI

**60 YEARS
IN LIGHT**

FOR MORE INFORMATION OR TO TALK ABOUT A PROJECT:

CALL: +44 (0) 1235 55 37 69
EMAIL: sales@optelma.co.uk

ISSUE DATE: 27/07/20

HEAD OFFICE
The Science Park
Abingdon
Oxfordshire
OX14 3YT

SHOWROOM
23 Bowling Green Lane
Clerkenwell
London
EC1R 0BD

FRANCE
28 Rue Charles
Baudelaire
75012 Paris
France

SWITZERLAND
St. Urbangasse 53
Postfach 1738
CH-4502 Solothurn
Switzerland

PUCK LIGHTING SOLUTION COMPONENTS



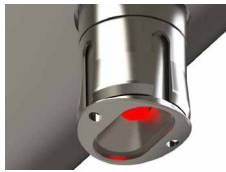
PUCK SOLO
Integrated heatsink for installation into wood, masonry or plaster.



PUCK TUNEABLE
Colour temperature and brightness control.



PUCK APERTURE
No back-spill or glare, just a sharp cut-off with excellent reach.



PUCK RGBW
Colour-changing light with integrated heatsink (SOLO).



PUCK WIDE
A wide beam with sharp cut-off for high uniformity.



PUCK IP68
Waterproof handrail lighting for extreme environments.



PUCK SNAP
Snap-in miniature handrail lighting solution.



PUCK ZERO
Anti-glare coated with curved/flat face.



PUCK LENS
A circular beam angle as opposed to the wide reach/shallow depth beam of other pucks solutions.



**60 YEARS
IN LIGHT**

**FOR MORE INFORMATION
OR TO TALK ABOUT A PROJECT:**

CALL: +44 (0) 1235 55 37 69
EMAIL: sales@optelma.co.uk

ISSUE DATE: 27/07/20

HEAD OFFICE
The Science Park
Abingdon
Oxfordshire
OX14 3YT

SHOWROOM
23 Bowling Green Lane
Clerkenwell
London
EC1R 0BD

FRANCE
28 Rue Charles
Baudelaire
75012 Paris
France

SWITZERLAND
St. Urbangasse 53
Postfach 1738
CH-4502 Solothurn
Switzerland

PUCK LIGHTING SOLUTION SPECIFICATION CODE

AAAA - BB/C/D/E - F/GGG - HHH/I								
AAAA PRODUCT ID	BB MOUNTING	C FINISH	D DRIVER	E BEAM ANGLE	F DIRECT LED	GGG CRI/ COLOUR	HHH DIAMETER/ SIZE (mm)	I EMERGENCY
PUCK*	RF RC	S	F 1 D X Z C	S A N M W	L	830 840 8TW 8RG	16	N/A

- *PRODUCT ID **'PUCK'** Puck Handrail Lighting - specify variation below
 - MOUNTING **'RF'** Recessed Flat-face, **'RC'** Recessed Curved-face
 - FINISH **'S'** 316 Stainless Steel
 - DRIVER **'F'** Fixed Output, **'1'** 1-10V, **'D'** DALI, **'X'** DMX, **'Z'** Zigbee, **'C'** Casambi
 - BEAM ANGLE **'S'** Standard (check specification), **'A'** Asymmetric (check specification),
'N' Narrow 23°, **'M'** Medium 42°, **'W'** Wide 80° (Lens only)
 - DIRECT LED **'L'** Low power 1.4W
 - CRI / COLOUR **'830'** CRI 80+ Colour 3000K, **'840'** CRI 80+ Colour 4000K,
'8TW' CRI 80+ Tuneable White, **'8RG'** CRI 80+ Colour Change RGBW
 - DIAMETER / SIZE Luminaire diameter in millimetres
 - EMERGENCY N/A
- + PUCK Variant codes: **'+SOLO'**, **'+RGBW'**, **'+SNAP'**, **'+TUNEABLE'**, **'+WIDE'**, **'+ZERO'**, **'+APERTURE'**, **'+IP68'**, **'+LENS'**

STANDARD

Standard fixed option products for quick and easy specification. Point source LED and Linear LED solutions, organised into Track & Spots, Downlights, Recessed, Surface, Suspended and Wall mounted solutions.

MADE-TO-MEASURE

Versatile systems and luminaires with custom specifications for project-specific lighting. Available in custom sizes and lengths, with many options including curves, corners, finishes, integrated accessories and more.

BESPOKE

Bespoke luminaires demonstrating completely custom project solutions, designed with the clients from concept to delivery. Learn about the design process and inspire your next bespoke lighting project.



**60 YEARS
IN LIGHT**

FOR MORE INFORMATION OR TO TALK ABOUT A PROJECT:

CALL: +44 (0) 1235 55 37 69
EMAIL: sales@optelma.co.uk

ISSUE DATE: 27/07/20

HEAD OFFICE
The Science Park
Abingdon
Oxfordshire
OX14 3YT

SHOWROOM
23 Bowling Green Lane
Clerkenwell
London
EC1R 0BD

FRANCE
28 Rue Charles
Baudelaire
75012 Paris
France

SWITZERLAND
St. Urbangasse 53
Postfach 1738
CH-4502 Solothurn
Switzerland