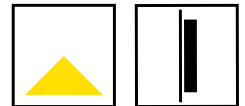


SPHERE

WALL LIGHT



KEY FEATURES

- Concave hemi-spheres for low-level lighting
- Recessed plaster-in mounting for seamless integration
- 120mm diameter aperture, with 160x270mm cut-out
- High strength reinforced plaster
- Integrated 12V LEDs in warm white 2700K
- Fixed Output or 1-10V dimmable driver (up to 7 Spheres)
- Perfect for stair lighting or decorative hallway lighting
- Natural plaster finish is paintable to match wall finish



**60 YEARS
IN LIGHT**

FOR MORE INFORMATION OR TO TALK ABOUT A PROJECT:

CALL: +44 (0) 1235 55 37 69
EMAIL: sales@optelma.co.uk

ISSUE DATE: 17/12/20

HEAD OFFICE
The Science Park
Abingdon
Oxfordshire
OX14 3YT

SHOWROOM
23 Bowling Green Lane
Clerkenwell
London
EC1R 0BD

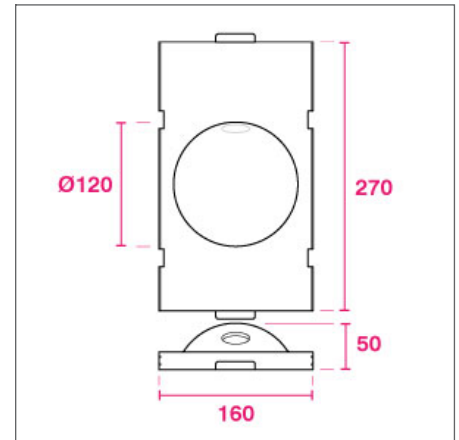
PARIS OFFICE
28 Rue Charles
Baudelaire
75012 Paris
France

SWISS OFFICE
St. Urbangasse 53
Postfach 1738
CH-4502 Solothurn
Switzerland

SPHERE SPECIFICATIONS

PRODUCT OPTIONS	
Dimensions (mm):	120 (Ø) x 50mm (D)
Cut-out (mm):	160 (W) x 270 (H) x 50mm (D)
Weight:	1 kg
Lifetime:	50,000 hrs
Mounting type:	Wall Mounted (Plaster-in Recessed)
Finish:	Natural Plaster*
Emergency:	N/A
Operating voltage:	12V
IP Rating:	IP20
Light source:	Integrated LED
Source Lumens:	100 lm
Delivered Lumens:	100 lm
Power:	1.2 W
Efficiency:	83.3 lm/W
Driver:	Fixed Output, 1-10V Dimmable (Supply for up to 7 fittings in series)
Colour temperature:	2700K
Beam Angle:	N/A
Diffuser:	N/A
CRI:	CRI 80
Optional Extras:	

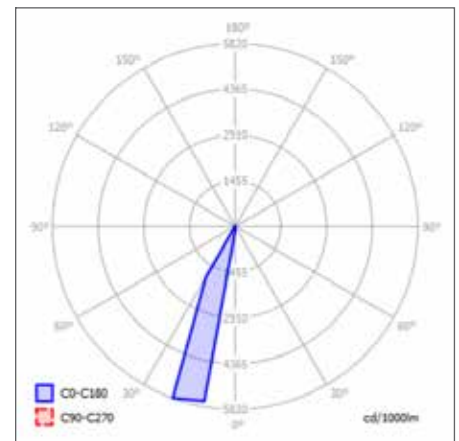
* Can be painted on-site to match finish of wall



DIMENSIONS (MM)



PLASTER-IN RECESSED UNIT



POLAR CURVE INTEGRATED LED (2700K)



60 YEARS
IN LIGHT

FOR MORE INFORMATION OR TO TALK ABOUT A PROJECT:

CALL: +44 (0) 1235 55 37 69
EMAIL: sales@optelma.co.uk

ISSUE DATE: 17/12/20

HEAD OFFICE
The Science Park
Abingdon
Oxfordshire
OX14 3YT

SHOWROOM
23 Bowling Green Lane
Clerkenwell
London
EC1R 0BD

PARIS OFFICE
28 Rue Charles
Baudelaire
75012 Paris
France

SWISS OFFICE
St. Urbangasse 53
Postfach 1738
CH-4502 Solothurn
Switzerland

SPHERE COMPONENTS



**NATURAL
PLASTER**

Made from high-strength plaster.



**RECESSED
PLASTER-IN**

Recessed, screwed to a frame and skimmed to provide seamless integration..



12V LED

Low-voltage integrated LED.



**60 YEARS
IN LIGHT**

**FOR MORE INFORMATION
OR TO TALK ABOUT A PROJECT:**

CALL: +44 (0) 1235 55 37 69
EMAIL: sales@optelma.co.uk

ISSUE DATE: 17/12/20

HEAD OFFICE
The Science Park
Abingdon
Oxfordshire
OX14 3YT

SHOWROOM
23 Bowling Green Lane
Clerkenwell
London
EC1R 0BD

PARIS OFFICE
28 Rue Charles
Baudelaire
75012 Paris
France

SWISS OFFICE
St. Urbangasse 53
Postfach 1738
CH-4502 Solothurn
Switzerland

SPHERE SPECIFICATION CODE

AAAA - BB/C/D/E - F/GGG - F/GGG - HHHH/I								
AAAA PRODUCT ID	BB MOUNTING	C FINISH	D DRIVER	E DIFFUSER	F DIRECT LED	GGG CRI / COLOUR	HHH DIAMETER / SIZE (mm)	I EMERGENCY
1965	PI	P	F 1	N	L	827	0120	

*	X' Custom Options - specify details alongside code
PRODUCT ID	'1965' Sphere Wall Light
MOUNTING	'PI' Plaster-in Recessed (Wall)
FINISH	'P' Natural Plaster
DRIVER	'F' Fixed Output, '1' 1-10V Dimmable
DIFFUSER	'N' None
DIRECT LED	'L' Low Power LED
CRI / COLOUR	'827' CRI 80+ Colour 2700K
DIAMETER / SIZE	Diameter/Size in millimetres
EMERGENCY	N/A

STANDARD

Standard fixed option products for quick and easy specification. Point source LED and Linear LED solutions, organised into Track & Spots, Downlights, Recessed, Surface, Suspended and Wall mounted solutions.

MADE-TO-MEASURE

Versatile systems and luminaires with custom specifications for project-specific lighting. Available in custom sizes and lengths, with many options including curves, corners, finishes, integrated accessories and more.

BESPOKE

Bespoke luminaires demonstrating completely custom project solutions, designed with the clients from concept to delivery. Learn about the design process and inspire your next bespoke lighting project.



**60 YEARS
IN LIGHT**

FOR MORE INFORMATION OR TO TALK ABOUT A PROJECT:

CALL: +44 (0) 1235 55 37 69
EMAIL: sales@optelma.co.uk

ISSUE DATE: 17/12/20

HEAD OFFICE
The Science Park
Abingdon
Oxfordshire
OX14 3YT

SHOWROOM
23 Bowling Green Lane
Clerkenwell
London
EC1R 0BD

PARIS OFFICE
28 Rue Charles
Baudelaire
75012 Paris
France

SWISS OFFICE
St. Urbangasse 53
Postfach 1738
CH-4502 Solothurn
Switzerland