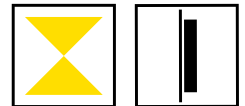




# DOUBLE ECLAIRAGE

## WALL LIGHT



### KEY FEATURES

- High strength plaster wall lamp
- 440mm wide bowl
- Top and bottom transparent screens
- Luminaire bracket mounted directly to the Wall
- Direct-Indirect wall wash lighting
- Fixed Output or DALI dimmable drivers
- Painted finish in White, Black, Flourescent or Metallic options



**60 YEARS**  
**IN LIGHT**

#### FOR MORE INFORMATION OR TO TALK ABOUT A PROJECT:

CALL: +44 (0) 1235 55 37 69  
EMAIL: [sales@optelma.co.uk](mailto:sales@optelma.co.uk)

ISSUE DATE: 17/12/20

**HEAD OFFICE**  
The Science Park  
Abingdon  
Oxfordshire  
OX14 3YT

**SHOWROOM**  
23 Bowling Green Lane  
Clerkenwell  
London  
EC1R 0BD

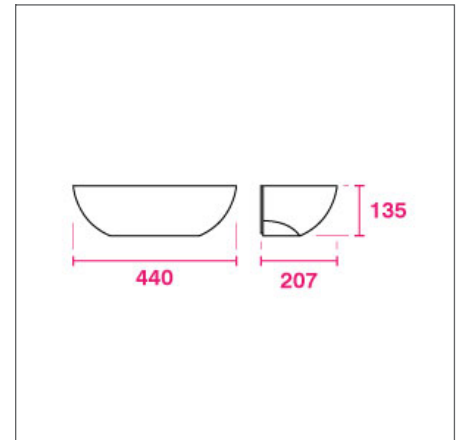
**PARIS OFFICE**  
28 Rue Charles  
Baudelaire  
75012 Paris  
France

**SWISS OFFICE**  
St. Urbangasse 53  
Postfach 1738  
CH-4502 Solothurn  
Switzerland

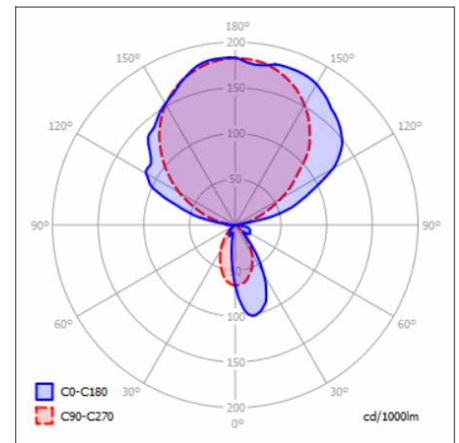
## DOUBLE ECLAIRAGE SPECIFICATIONS

PRODUCT OPTIONS	
Dimensions (mm):	440 (W) x 135 (H) x 207mm (D)
Cut-out (mm):	N/A
Weight:	3.2 kg
Lifetime:	50,000 hrs
Mounting type:	Wall Mounted
Finish:	Natural Plaster*
Emergency:	N/A
Operating voltage:	100-240V AC 50-60Hz
IP Rating:	IP20
Light source:	E27 Halogen or Fluocompact (not supplied), or integrated COB LED
Source Lumens:	INDIRECT: 1860 lm, DIRECT: 930 lm (COB LED)
Delivered Lumens:	-
Power:	22.5 W (350mA)
Efficiency:	124 lm/W
Driver:	Fixed Output, DALI Dimmable (1-10V Dimmable on request)
Colour temperature:	3000K*
Beam Angle:	N/A
Diffuser:	Clear
CRI:	CRI 80
Optional Extras:	Alternate colour temperatures and LED sources on request

\* Can be painted on-site to match finish of wall. Outputs based on integrated COB LED



DIMENSIONS WALL MOUNTED (MM)



POLAR CURVE INTEGRATED LED (4000K)



### FOR MORE INFORMATION OR TO TALK ABOUT A PROJECT:

CALL: +44 (0) 1235 55 37 69  
EMAIL: sales@optelma.co.uk

ISSUE DATE: 17/12/20

**HEAD OFFICE**  
The Science Park  
Abingdon  
Oxfordshire  
OX14 3YT

**SHOWROOM**  
23 Bowling Green Lane  
Clerkenwell  
London  
EC1R 0BD

**PARIS OFFICE**  
28 Rue Charles  
Baudelaire  
75012 Paris  
France

**SWISS OFFICE**  
St. Urbangasse 53  
Postfach 1738  
CH-4502 Solothurn  
Switzerland

---

## DOUBLE ECLAIRAGE COMPONENTS

---



**NATURAL  
PLASTER**

Made from high-strength plaster.



**MATT  
POLYURETHANE  
LACQUER**

Vibrant custom painted finishes.



**METALLIC  
PAINTS**

Metal custom painted finishes.



**60 YEARS  
IN LIGHT**

---

**FOR MORE INFORMATION  
OR TO TALK ABOUT A PROJECT:**

CALL: +44 (0) 1235 55 37 69  
EMAIL: [sales@optelma.co.uk](mailto:sales@optelma.co.uk)

ISSUE DATE: 17/12/20

**HEAD OFFICE**  
The Science Park  
Abingdon  
Oxfordshire  
OX14 3YT

**SHOWROOM**  
23 Bowling Green Lane  
Clerkenwell  
London  
EC1R 0BD

**PARIS OFFICE**  
28 Rue Charles  
Baudelaire  
75012 Paris  
France

**SWISS OFFICE**  
St. Urbangasse 53  
Postfach 1738  
CH-4502 Solothurn  
Switzerland

## DOUBLE ECLAIRAGE SPECIFICATION CODE

AAAA - BB/C/D/E - F/GGG - F/GGG - HHHH/I								
AAAA PRODUCT ID	BB MOUNTING	C FINISH	D DRIVER	E DIFFUSER	F DIRECT LED	GGG CRI / COLOUR	HHH LENGTH / SIZE (mm)	I EMERGENCY
1818	WM	P W B	F D	C	E C	827 830 840	0440	

- \* **X** Custom Options - specify details alongside code
- PRODUCT ID **'1818'** Double Eclairage Wall Light
- MOUNTING **'WM'** Wall Mounted
- FINISH **'P'** Natural Plaster, **'W'** White, **'B'** Black (Extra Matt) - custom on request
- DRIVER **'F'** Fixed Output, **'D'** DALI - 1-10V on request
- DIFFUSER **'C'** Clear
- DIRECT LED **'E'** Fluocompact E27 lamp (not included), **'C'** High Power integrated COB LED (Direct-Indirect)
- CRI / COLOUR **'827'** CRI 80+ Colour 2700K, **'830'** CRI 80+ Colour 3000K, **'840'** CRI 80+ Colour 4000K
- LENGTH / SIZE Length/Size in millimetres
- EMERGENCY N/A

### STANDARD

Standard fixed option products for quick and easy specification. Point source LED and Linear LED solutions, organised into Track & Spots, Downlights, Recessed, Surface, Suspended and Wall mounted solutions.

### MADE-TO-MEASURE

Versatile systems and luminaires with custom specifications for project-specific lighting. Available in custom sizes and lengths, with many options including curves, corners, finishes, integrated accessories and more.

### BESPOKE

Bespoke luminaires demonstrating completely custom project solutions, designed with the clients from concept to delivery. Learn about the design process and inspire your next bespoke lighting project.



**60 YEARS  
IN LIGHT**

#### FOR MORE INFORMATION OR TO TALK ABOUT A PROJECT:

CALL: +44 (0) 1235 55 37 69  
EMAIL: sales@optelma.co.uk

ISSUE DATE: 17/12/20

**HEAD OFFICE**  
The Science Park  
Abingdon  
Oxfordshire  
OX14 3YT

**SHOWROOM**  
23 Bowling Green Lane  
Clerkenwell  
London  
EC1R 0BD

**PARIS OFFICE**  
28 Rue Charles  
Baudelaire  
75012 Paris  
France

**SWISS OFFICE**  
St. Urbangasse 53  
Postfach 1738  
CH-4502 Solothurn  
Switzerland