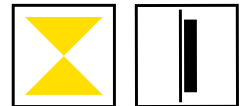




SAQQARA

WALL LIGHT



KEY FEATURES

- High strength plaster wall lamp
- 250mm wide brick
- IP20 with top transparent screen
- Luminaire bracket mounted directly to the Wall
- Direct-Indirect wall wash lighting
- Retrofit Fluocompact or integrated COB LED source
- Fixed Output or DALI dimmable drivers
- Painted finish in White, Black, Fluorescent or Metallic options



**60 YEARS
IN LIGHT**

FOR MORE INFORMATION OR TO TALK ABOUT A PROJECT:

CALL: +44 (0) 1235 55 37 69
EMAIL: sales@optelma.co.uk

ISSUE DATE: 17/12/20

HEAD OFFICE
The Science Park
Abingdon
Oxfordshire
OX14 3YT

SHOWROOM
23 Bowling Green Lane
Clerkenwell
London
EC1R 0BD

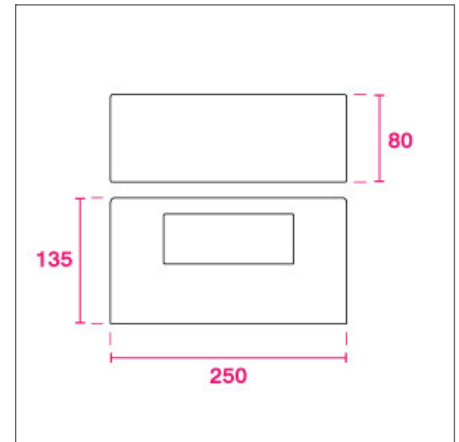
PARIS OFFICE
28 Rue Charles
Baudelaire
75012 Paris
France

SWISS OFFICE
St. Urbangasse 53
Postfach 1738
CH-4502 Solothurn
Switzerland

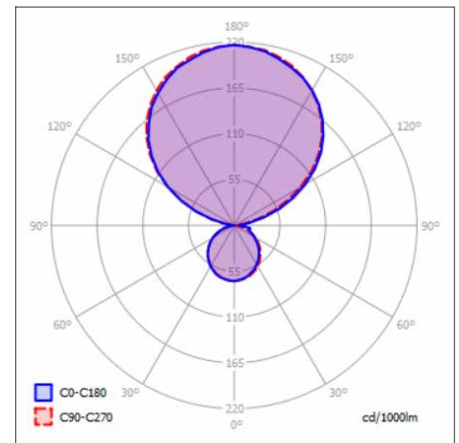
SAQQARA SPECIFICATIONS

PRODUCT OPTIONS	
Dimensions (mm):	250 (W) x 80 (H) x 135mm (D)
Cut-out (mm):	N/A
Weight:	1.7 kg
Lifetime:	50,000 hrs
Mounting type:	Wall Mounted
Finish:	Natural Plaster*
Emergency:	N/A
Operating voltage:	100-240V AC 50-60Hz
IP Rating:	IP20
Light source:	GX24q Fluocompact (not supplied), or integrated COB LED
Source Lumens:	2910 lm (COB LED)
Delivered Lumens:	-
Power:	23.4 W (350mA)
Efficiency:	124 lm/W
Driver:	Fixed Output, DALI Dimmable (1-10V Dimmable on request)
Colour temperature:	3000K*
Beam Angle:	N/A
Diffuser:	Clear
CRI:	CRI 80
Optional Extras:	Alternate colour temperatures and LED sources on request

* Can be painted on-site to match finish of wall. Outputs based on integrated COB LED



DIMENSIONS WALL MOUNTED (MM)



POLAR CURVE INTEGRATED LED (3000K)



FOR MORE INFORMATION OR TO TALK ABOUT A PROJECT:

CALL: +44 (0) 1235 55 37 69
EMAIL: sales@optelma.co.uk

ISSUE DATE: 17/12/20

HEAD OFFICE
The Science Park
Abingdon
Oxfordshire
OX14 3YT

SHOWROOM
23 Bowling Green Lane
Clerkenwell
London
EC1R 0BD

PARIS OFFICE
28 Rue Charles
Baudelaire
75012 Paris
France

SWISS OFFICE
St. Urbangasse 53
Postfach 1738
CH-4502 Solothurn
Switzerland

SAQQARA COMPONENTS



**NATURAL
PLASTER**

Made from high-strength plaster.



**MATT
POLYURETHANE
LACQUER**

Vibrant custom painted finishes.



**METALLIC
PAINTS**

Metal custom painted finishes.



**FOR MORE INFORMATION
OR TO TALK ABOUT A PROJECT:**

CALL: +44 (0) 1235 55 37 69
EMAIL: sales@optelma.co.uk

ISSUE DATE: 17/12/20

HEAD OFFICE
The Science Park
Abingdon
Oxfordshire
OX14 3YT

SHOWROOM
23 Bowling Green Lane
Clerkenwell
London
EC1R 0BD

PARIS OFFICE
28 Rue Charles
Baudelaire
75012 Paris
France

SWISS OFFICE
St. Urbangasse 53
Postfach 1738
CH-4502 Solothurn
Switzerland

**60 YEARS
IN LIGHT**

SAQQARA SPECIFICATION CODE

AAAA - BB/C/D/E - F/GGG - F/GGG - HHHH/I								
AAAA PRODUCT ID	BB MOUNTING	C FINISH	D DRIVER	E DIFFUSER	F DIRECT LED	GGG CRI / COLOUR	HHH LENGTH / SIZE (mm)	I EMERGENCY
3055	WM	P W B	F D	C	F C	827 830 840	0250	

- * **X'** Custom Options - specify details alongside code
- PRODUCT ID **'3055'** Saqqara Wall Light
- MOUNTING **'WM'** Wall Mounted
- FINISH **'P'** Natural Plaster, **'W'** White, **'B'** Black (Extra Matt) - custom on request
- DRIVER **'F'** Fixed Output, **'D'** DALI - 1-10V on request
- DIFFUSER **'C'** Clear
- DIRECT LED **'F'** Fluocompact GX24q lamp (not included), **'C'** High Power integrated COB LED (Direct-Indirect)
- CRI / COLOUR **'827'** CRI 80+ Colour 2700K, **'830'** CRI 80+ Colour 3000K, **'840'** CRI 80+ Colour 4000K
- LENGTH / SIZE Length/Size in millimetres
- EMERGENCY N/A

STANDARD

Standard fixed option products for quick and easy specification. Point source LED and Linear LED solutions, organised into Track & Spots, Downlights, Recessed, Surface, Suspended and Wall mounted solutions.

MADE-TO-MEASURE

Versatile systems and luminaires with custom specifications for project-specific lighting. Available in custom sizes and lengths, with many options including curves, corners, finishes, integrated accessories and more.

BESPOKE

Bespoke luminaires demonstrating completely custom project solutions, designed with the clients from concept to delivery. Learn about the design process and inspire your next bespoke lighting project.



**60 YEARS
IN LIGHT**

**FOR MORE INFORMATION
OR TO TALK ABOUT A PROJECT:**

CALL: +44 (0) 1235 55 37 69
EMAIL: sales@optelma.co.uk

ISSUE DATE: 17/12/20

HEAD OFFICE
The Science Park
Abingdon
Oxfordshire
OX14 3YT

SHOWROOM
23 Bowling Green Lane
Clerkenwell
London
EC1R 0BD

PARIS OFFICE
28 Rue Charles
Baudelaire
75012 Paris
France

SWISS OFFICE
St. Urbangasse 53
Postfach 1738
CH-4502 Solothurn
Switzerland