

RETRO-FIT LED



New or Retro Fit: LED Lighting Saves Money

Calling all Facilities Management companies!! Optelma Lighting are delivering affordable LED lighting solutions that allow you to avoid the challenges of fluorescent or older out of warranty lighting schemes. A custom LED retro fit solution allows you to save money, improve your environmental impact and significantly improve the working conditions for your clients or employees;

- Reduced Capital Costs – New Led lighting can be expensive, but our retro fit systems are designed to work with existing and conventional light technologies. Delivering LED lighting performance within your current luminaire
- Maintenance free – Long life LED technology removes maintenance and replacement costs, supported by our 5 year warranty
- The Environment – LED's are design to last! Less failed luminaires to scrap, less parts to continually replace. In working with existing luminaire fixtures our modular LED solution provides a cradle to cradle approach where individual components can be replaced and upgraded over the years allowing the life of the luminaire to be endless
- Reduced Energy Consumption – The performance of LED's is continually improving, in comparison to older style lighting technologies in fluorescent and halogen lighting, we can lower energy consumption by up to 75%
- Bespoke Compatibility – We can adapt our retro fit solution to work with all variations of existing on site linear systems

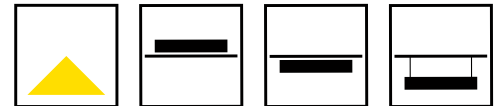
High quality components that are easy to install. If lighting falls within your budget and maintenance programmes, we would be delighted to send you a little more detailed information for evaluation. With national coverage Optelma will be happy to schedule visits and a free design evaluation to see how best LED lighting can deliver these benefits to you. Please either send me a direct message indicating your interest or send contact through to my details as below;

Matthew Sherry
matthew@optelma.co.uk
07584 149451



RETROFIT LED

MADE-TO-MEASURE



KEY FEATURES

- Retrofit LED solution for replacing/updating fluorescent lighting
- Small, Medium and Large gear trays / extruded reflectors, including LED's, drivers and fixing brackets
- Cost effective made to measure dibond tray options.
- Direct lighting with a choice of High Efficiency (650lm) or High Output (1100lm) PHILIPS Fortimo LED boards and Tuneable White or RGB LED
- Compact PHILIPS Xitanium fixed output drivers, or a range of control options including DALI, 1-10V, DMX or Switch-Dim
- Integrated 3-hour Standard or DALI Emergency



PHILIPS



**60 YEARS
IN LIGHT**

**FOR MORE INFORMATION
OR TO TALK ABOUT A PROJECT:**

CALL: +44 (0) 1235 55 37 69
EMAIL: sales@optelma.co.uk

ISSUE DATE: 01/01/18

HEAD OFFICE
The Science Park
Abingdon
Oxfordshire
OX14 3YT

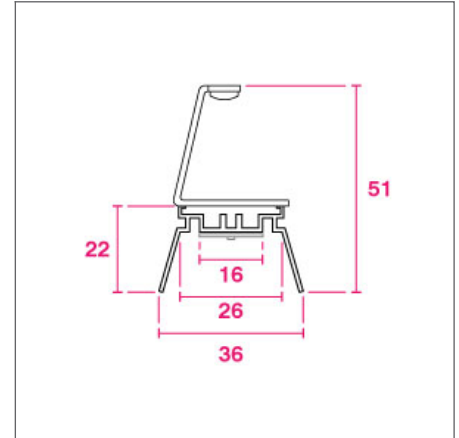
SHOWROOM
23 Bowling Green Lane
Clerkenwell
London
EC1R 0BD

PARIS OFFICE
28 Rue Charles
Baudelaire
75012 Paris
France

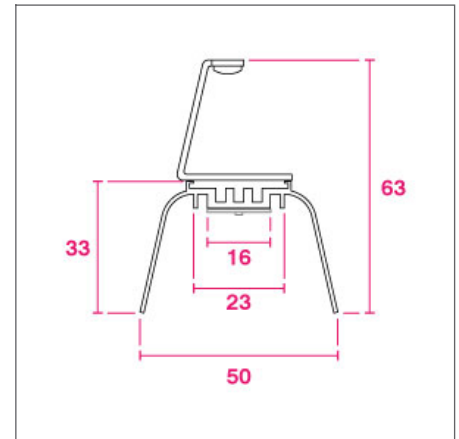
SWISS OFFICE
St. Urbangasse 53
Postfach 1738
CH-4502 Solothurn
Switzerland

RETROFIT LED SPECIFICATIONS

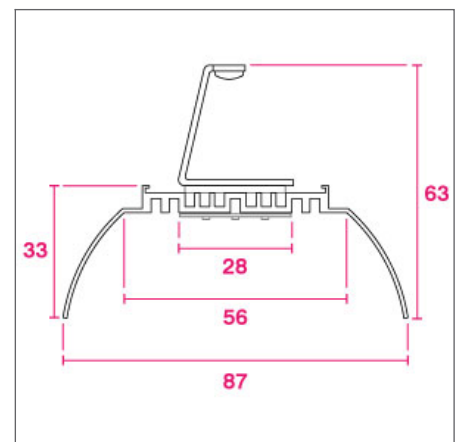
PRODUCT OPTIONS			
Internal Dimensions (mm):	36 (W) x 51 (H)	50 (W) x 63 (H)	87 (W) x 63 (H)
Weight (kg):	2 kg per Metre	3 kg per Metre	4 kg per Metre
Lifetime:	50,000 hrs		
Mounting type:	Retrofit Fluorescent replacement (within existing profile)		
Finish:	Matt White gear tray		
Emergency:	Standard or DALI 3-hour emergency conversion (30% lm output)		
Operating voltage:	230V		
IP Rating:	IP20 (IP54 on request)		
Light source:	Philips Fortimo LED, Tuneable White LED, RGB or RGBW LED		
Driver:	Fixed Output, 1-10V, DALI, DMX, Switch Dim.		
Colour temperature:	2700K (on request), 3000K, 4000K, Tuneable 2700K-5700K, RGBW		
Beam Angle:	N/A		
Diffuser:	Opal, MPO, Clear (If needed to replace existing solution)		
CRI:	> 80 or > 90 (depending on source choice)		
Optional Extras:	Diffuser on request (Opal/MPO/Clear)		



SMALL TRAY CROSS-SECTION (MM)



MEDIUM TRAY CROSS-SECTION (MM)



LARGE TRAY CROSS-SECTION (MM)

MADE-TO-MEASURE LENGTHS* WITH CUSTOMISABLE LED SOURCES

Small/Medium Gear Tray LED	Lumen Output*	Power
High Efficiency Linear 1R LED	2275 lm/M	13.3 W/M
High Output Linear 1R LED	3850 lm/M	21.7 W/M
Tuneable White 1R LED	1886.5 lm/M	10.5 W/M
Opteflex RGBW LED (24V)	750 lm/M (MAX)	30.8 W/M

Large Gear Tray LED	Lumen Output*	Power
High Efficiency Linear 3R LED	2275 lm/M	14.7 W/M
High Output Linear 3R LED	3850 lm/M	23.45 W/M
Tuneable White 1R LED	1886.5 lm/M	10.5 W/M
Opteflex RGBW LED (24V)	1500 lm/M (MAX - twin line)	61.6 W/M (twin line)

* Source Outputs at 4000K - Many more options on request.
Made-to-measure lengths based on 285mm board lengths.



**60 YEARS
IN LIGHT**

FOR MORE INFORMATION OR TO TALK ABOUT A PROJECT:

CALL: +44 (0) 1235 55 37 69
EMAIL: sales@optelma.co.uk

ISSUE DATE: 01/01/18

HEAD OFFICE
The Science Park
Abingdon
Oxfordshire
OX14 3YT

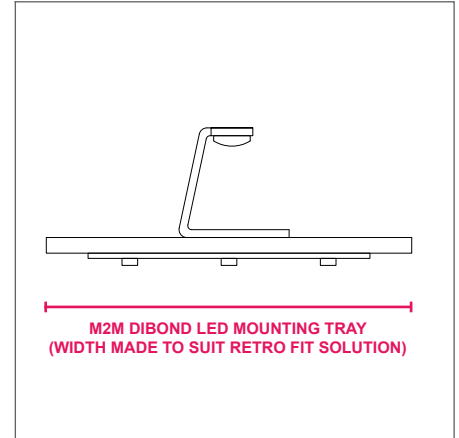
SHOWROOM
23 Bowling Green Lane
Clerkenwell
London
EC1R 0BD

PARIS OFFICE
28 Rue Charles
Baudelaire
75012 Paris
France

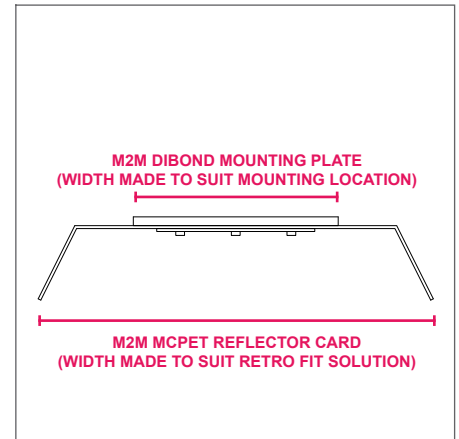
SWISS OFFICE
St. Urbangasse 53
Postfach 1738
CH-4502 Solothurn
Switzerland

MADE TO MEASURE RETROFIT LED SPECIFICATIONS

PRODUCT OPTIONS	
Internal Dimensions (mm):	Made to measure width, length and height to suit replacement requirements.
Weight (kg):	1 kg per Metre
Lifetime:	50,000 hrs
Mounting type:	Fixed screws, Magnetic screwed, Lay-in
Finish:	Matt White Dibond
Emergency:	Standard or DALI 3-hour emergency conversion (30% lm output)
Operating voltage:	230V
IP Rating:	IP20 (IP54 on request)
Light source:	Philips Fortimo LED, Tuneable White LED, RGB or RGBW LED
Driver:	Fixed Output, 1-10V, DALI, DMX, Switch Dim.
Colour temperature:	2700K (on request), 3000K, 4000K, Tuneable 2700K-5700K, RGBW
Beam Angle:	N/A
Diffuser:	Opal, MPO, Clear (If needed to replace existing solution)
CRI:	> 80 or > 90 (depending on source choice)
Optional Extras:	Diffuser on request (Opal/MPO/Clear)



MAGNETIC TRAY OPTION (MM)



CLIP IN TRAY OPTION (MM)

MADE-TO-MEASURE LENGTHS* WITH CUSTOMISABLE LED SOURCES

Small/Medium Gear Tray LED	Lumen Output*	Power
High Efficiency Linear 1R LED	2275 lm/M	13.3 W/M
High Output Linear 1R LED	3850 lm/M	21.7 W/M
Tuneable White 1R LED	1886.5 lm/M	10.5 W/M
Opteflex RGBW LED (24V)	750 lm/M (MAX)	30.8 W/M

Large Gear Tray LED	Lumen Output*	Power
High Efficiency Linear 3R LED	2275 lm/M	14.7 W/M
High Output Linear 3R LED	3850 lm/M	23.45 W/M
Tuneable White 1R LED	1886.5 lm/M	10.5 W/M
Opteflex RGBW LED (24V)	1500 lm/M (MAX - twin line)	61.6 W/M (twin line)

* Source Outputs at 4000K - Many more options on request.
Made-to-measure lengths based on 285mm board lengths.



**60 YEARS
IN LIGHT**

FOR MORE INFORMATION OR TO TALK ABOUT A PROJECT:

CALL: +44 (0) 1235 55 37 69
EMAIL: sales@optelma.co.uk

ISSUE DATE: 01/01/18

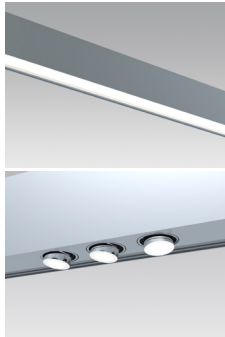
HEAD OFFICE
The Science Park
Abingdon
Oxfordshire
OX14 3YT

SHOWROOM
23 Bowling Green Lane
Clerkenwell
London
EC1R 0BD

PARIS OFFICE
28 Rue Charles
Baudelaire
75012 Paris
France

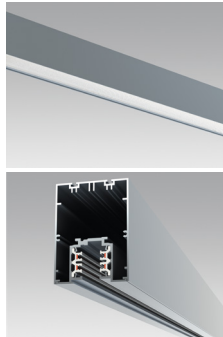
SWISS OFFICE
St. Urbangasse 53
Postfach 1738
CH-4502 Solothurn
Switzerland

RETROFIT LED COMPONENTS



OPAL DIFFUSER
Opal polycarbonate diffuser.

INTEGRATED DOWNLIGHTS
Fixed or adjustable miniature downlights.



MPO DIFFUSER
Micro Pyramidal Optic diffuser.

INTEGRATED 230V TRACK
Flush-fitting 230V track for integrated spotlights and more.



RGBW LIGHTING
24V RGB LED lighting options available.

PIR SENSOR
Miniature Passive Infrared sensor for motion detecting.



40W-60W DRIVER
Fixed Output 24V driver. Size: 162.5 x 42.5 x 32mm

PHILIPS FORTIMO LED BOARDS
Linear LED boards for update/replacements.



60W-100W DRIVER
Fixed Output 24V driver. Size: 190 x 52 x 37mm

ARTICULATED LED BOARD
Tessellating LED boards for curves.



DMX512 DECODER
3/4-channel decoder for RGB/RGBW. Size: 167 x 52 x 23mm

QUAD SIDEWALL
Extruded Sidewall profile to build custom housing for existing apertures.

EMERGENCY CONVERSION OUTPUTS

Up to 10 LED boards can be powered from a single LED driver and emergency conversion kit. Emergency converting solutions longer than 10 boards (3000mm) requires another driver and kit. The emergency kit runs the converted driver at 30% of its normal output in an emergency state. Each LED board connected to the driver will be illuminated for 3 hours emergency duration. Therefore, if a 10-board length emergency output is not bright enough, converting two 5-board lengths will increase the lumen output. Be aware of this as you plan your emergency scheme.



**60 YEARS
IN LIGHT**

**FOR MORE INFORMATION
OR TO TALK ABOUT A PROJECT:**

CALL: +44 (0) 1235 55 37 69
EMAIL: sales@optelma.co.uk

ISSUE DATE: 01/01/18

HEAD OFFICE
The Science Park
Abingdon
Oxfordshire
OX14 3YT

SHOWROOM
23 Bowling Green Lane
Clerkenwell
London
EC1R 0BD

PARIS OFFICE
28 Rue Charles
Baudelaire
75012 Paris
France

SWISS OFFICE
St. Urbangasse 53
Postfach 1738
CH-4502 Solothurn
Switzerland

RETROFIT LED SPECIFICATION CODE

AAAA - BB/C/D/E - F/GGG - HHHH/I								
AAAA PRODUCT ID	BB MOUNTING	C GEAR TRAY	D DRIVER	E DIFFUSER	F DIRECT LED	GGG CRI/ COLOUR	HHH LENGTH (mm)	I EMERGENCY
RFIT	PI RE RT SM WM SP	S M L	F D 1 M S X*	O M	L H T X*	8TW 827 830 840 927 930 940 XXX*	XXXX* ENTER CUSTOM LENGTH	E DE

- * **X** Custom Options - specify details alongside code
- MOUNTING** **PI** Plaster-in, **RE** Recessed, **RT** Recessed Trimless, **SM** Surface Mounted, **WM** Wall Mounted, **SP** Suspended Parallel
- GEAR TRAY** **S** Small Gear Tray, **M** Medium Gear Tray, **L** Large Gear Tray
- DRIVER** **F** Fixed Output, **D** DALI, **1** 1-10V, **L** Leading & Trailing Edge, **M** Mains Dim, **S** Switch Dim
- DIFFUSER** **O** Opal, **M** MPO
- DIRECT LED** **L** Low power High Efficiency 650lm LED boards, **H** High power 1100lm LED boards, **T** Tuneable White LED boards
- CRI / COLOUR** **8TW** Tuneable White 2700-5700K, **827** CRI 80+ Colour 2700K, **830** CRI 80+ Colour 3000K, **840** CRI 80+ Colour 4000K, **927** CRI 90+ Colour 2700K, **930** CRI 90+ Colour 3000K, **940** CRI 90+ Colour 4000K
- LENGTH** Made-to-Measure lengths in millimetres
- EMERGENCY** **E** Standard Integrated Emergency, **DE** DALI Integrated Emergency, - specify details alongside code
- EXTRAS** - specify any extra details alongside code (e.g, RGBW 24V LED)

STANDARD

Standard fixed option products for quick and easy specification. Point source LED and Linear LED solutions, organised into Track & Spots, Downlights, Recessed, Surface, Suspended and Wall mounted solutions.

MADE-TO-MEASURE

Versatile systems and luminaires with custom specifications for project-specific lighting. Available in custom sizes and lengths, with many options including curves, corners, finishes, integrated accessories and more.

BESPOKE

Bespoke luminaires demonstrating completely custom project solutions, designed with the clients from concept to delivery. Learn about the design process and inspire your next bespoke lighting project.



**60 YEARS
IN LIGHT**

FOR MORE INFORMATION OR TO TALK ABOUT A PROJECT:

CALL: +44 (0) 1235 55 37 69
EMAIL: sales@optelma.co.uk

ISSUE DATE: 01/01/18

HEAD OFFICE
The Science Park
Abingdon
Oxfordshire
OX14 3YT

SHOWROOM
23 Bowling Green Lane
Clerkenwell
London
EC1R 0BD

PARIS OFFICE
28 Rue Charles
Baudelaire
75012 Paris
France

SWISS OFFICE
St. Urbangasse 53
Postfach 1738
CH-4502 Solothurn
Switzerland