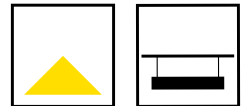




TOOB SUSPENDED

PENDANT CEILING LIGHT



KEY FEATURES

- Suspended cylindrical downlighter
- Direct lighting with CRI90 LED
- Choice of beam angles including 15°, 24°, 36°, 55°
- 12W LED Engine providing up to 1429lm
- Colour temperatures include 2700K, 3000K and 4000K
- Integrated Fixed Output or Mains Dimmable driver
- Die cast aluminium housing coated in a Black or White finish, with baffle in Black, White or Gold finish
- Honeycomb Louver antiglare accessory on request



CASAMBI

**60 YEARS
IN LIGHT**

CALL: +44 (0) 1235 55 37 69
EMAIL: sales@optelma.co.uk
ISSUE DATE: 27/11/20

HEAD OFFICE
The Science Park
Abingdon
Oxfordshire OX14 3YT
United Kingdom

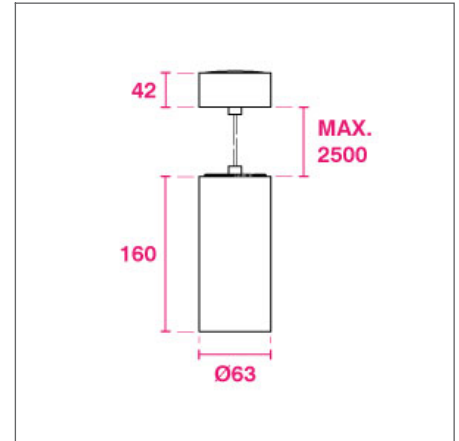
SHOWROOM
23 Bowling Green Lane
Clerkenwell
London EC1R 0BD
United Kingdom

FRANCE
28 Rue Charles
Baudelaire
75012 Paris
France

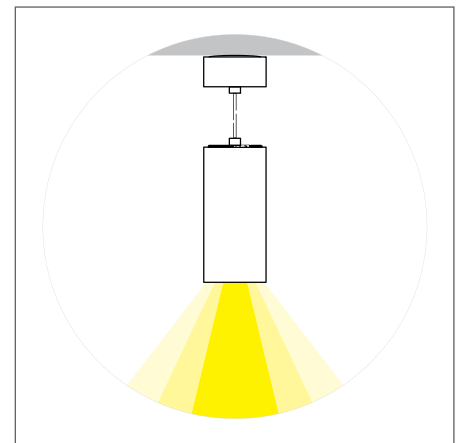
SWITZERLAND
St. Urbangasse 53
Postfach 1738
CH-4502 Solothurn
Switzerland

TOOB SUSPENDED SPECIFICATIONS

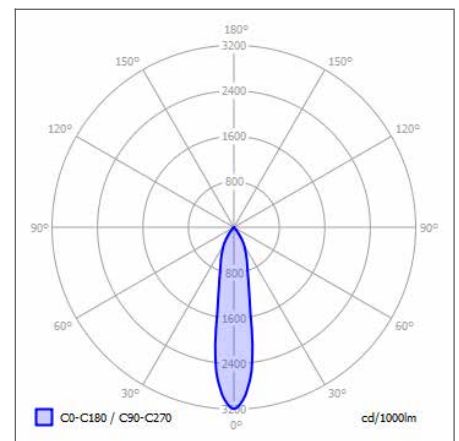
PRODUCT OPTIONS	
Dimensions (mm):	63 (Ø) x 160 (H)
Cut-out (mm):	N/A
Weight (kg):	<1.0 kg
Lifetime:	50,000 hrs
Mounting type:	Suspended
Finish:	Matt White, Matt Black
Emergency:	Remote 3-hour emergency conversion on request
Operating voltage:	230V (350mA)
IP Rating:	IP20
Light source:	Low Power 12W LED
Driver:	Fixed Output, Mains Dimmable, Casambi
Colour temperature:	2700K, 3000K, 4000K
Beam Angle:	11°, 20°, 34°
Diffuser:	N/A
CRI:	90+
Optional Extras:	Antiglare accessories: Honeycomb louver Baffle finishes: Black, White, Gold



CROSS-SECTION DIMENSIONS (MM)



DISTRIBUTION



POLAR CURVE 20° 4000K Low Power

CHOOSE A PROJECT SPECIFIC SOLUTION FROM THE FOLLOWING OUTPUTS

LED Light Source*	Beam Angle	Wattage	Output
TOOB Low Power LED	15°	12W	1311lm
TOOB Low Power LED	24°	12W	1429 lm
TOOB Low Power LED	36°	12W	1402 lm
TOOB Low Power LED	55°	12W	1325 lm

* LED Lumen outputs at 4000K.



CASAMBI

**60 YEARS
IN LIGHT**

CALL: +44 (0) 1235 55 37 69
EMAIL: sales@optelma.co.uk
ISSUE DATE: 27/11/20

HEAD OFFICE
The Science Park
Abingdon
Oxfordshire OX14 3YT
United Kingdom

SHOWROOM
23 Bowling Green Lane
Clerkenwell
London EC1R 0BD
United Kingdom

FRANCE
28 Rue Charles
Baudelaire
75012 Paris
France

SWITZERLAND
St. Urbangasse 53
Postfach 1738
CH-4502 Solothurn
Switzerland

TOOB SUSPENDED COMPONENTS



BLACK + BLACK REFLECTOR
Black coated aluminium with a black reflector ring.



WHITE + GOLD REFLECTOR
White coated aluminium with a gold reflector ring.



WHITE + WHITE REFLECTOR
White coated aluminium with a white reflector ring.



BLACK + WHITE REFLECTOR
Black coated aluminium with a white reflector ring.



BLACK + GOLD REFLECTOR
Black coated aluminium with a gold reflector ring.



WHITE + BLACK REFLECTOR
White coated aluminium with a black reflector ring.



HONEYCOMB LOUVER
Honeycomb Louver antiglare accessory.



TOOB SUSPENDED SPECIFICATION CODE

AAAA - BB/C/D/E - F/GGG - HHHH/I								
AAAA PRODUCT ID	BB MOUNTING	C FINISH	D DRIVER	E BEAM ANGLE	F DIRECT LED	GGG CRI/ COLOUR	HHH DIAMETER/ SIZE (mm)	I EMERGENCY
TOOB	SU	W B X*	F M C	T S M	L	927 930 940	63	N/A

- * **X** Custom Options - specify details alongside code
- MOUNTING **SU** Suspended
- FINISH **W** Matt White, **B** Matt Black
- DRIVER **F** Fixed Output, **M** Mains Dimming, **C** Casambi control
- BEAM ANGLE **T** 11° Tight Spot, **S** 20° Spot, **M** 34° Medium
- DIRECT LED **L** Low power 12W
- CRI / COLOUR **927** CRI 90+ Colour 2700K, **930** CRI 90+ Colour 3000K, **940** CRI 90+ Colour 4000K
- DIAMETER / SIZE Luminaire diameter in millimetres
- EMERGENCY Options available on request - specify details alongside code

For contrasting reflector ring finishes specify details alongside code:
+WHITE / +BLACK / +GOLD

STANDARD

Standard fixed option products for quick and easy specification. Point source LED and Linear LED solutions, organised into Track & Spots, Downlights, Recessed, Surface, Suspended and Wall mounted solutions.

MADE-TO-MEASURE

Versatile systems and luminaires with custom specifications for project-specific lighting. Available in custom sizes and lengths, with many options including curves, corners, finishes, integrated accessories and more.

BESPOKE

Bespoke luminaires demonstrating completely custom project solutions, designed with the clients from concept to delivery. Learn about the design process and inspire your next bespoke lighting project.



60 YEARS IN LIGHT

CALL: +44 (0) 1235 55 37 69
EMAIL: sales@optelma.co.uk
ISSUE DATE: 27/11/20

HEAD OFFICE

The Science Park
Abingdon
Oxfordshire OX14 3YT
United Kingdom

SHOWROOM

23 Bowling Green Lane
Clerkenwell
London EC1R 0BD
United Kingdom

FRANCE

28 Rue Charles
Baudelaire
75012 Paris
France

SWITZERLAND

St. Urbangasse 53
Postfach 1738
CH-4502 Solothurn
Switzerland