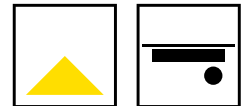


TOOB 60

TRACK SPOTLIGHT



KEY FEATURES

- Track-mounted Ø64mm Die-cast Aluminium spotlight
- 355° of rotation with 90° tilt adjustability
- High performance Lumileds LED chip
- Polycarbonate optics with 15°, 24°, 36°, 55° beam angles
- High colour rendering index as standard (CRI90+)
- Colour temperatures of 2700K, 3000K and 4000K
- Fixed Output, DALI dimmable or Mains dimmable
- Matt Black and Matt white finishes, with clip-in reflector/baffle offered in Black, White and Gold finish



**60 YEARS
IN LIGHT**

FOR MORE INFORMATION OR TO TALK ABOUT A PROJECT:

CALL: +44 (0) 1235 55 37 69
EMAIL: sales@optelma.co.uk

ISSUE DATE: 27/07/20

HEAD OFFICE
The Science Park
Abingdon
Oxfordshire
OX14 3YT

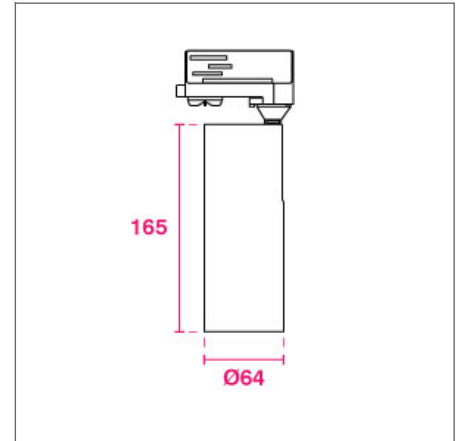
SHOWROOM
23 Bowling Green Lane
Clerkenwell
London
EC1R 0BD

FRANCE
28 Rue Charles
Baudelaire
75012 Paris
France

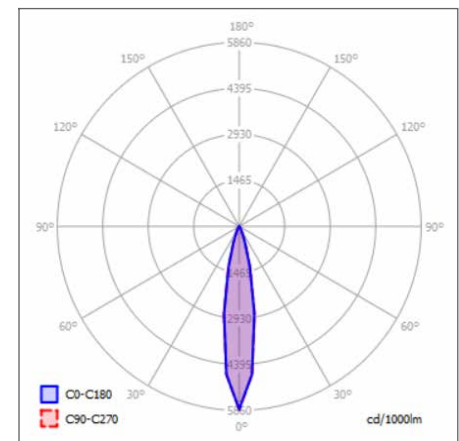
SWITZERLAND
St. Urbangasse 53
Postfach 1738
CH-4502 Solothurn
Switzerland

TOOB 60 TRACKSPOT SPECIFICATIONS

PRODUCT OPTIONS	
Dimensions (mm):	63 (Ø) x 162 (H)
Cut-out (mm):	N/A
Weight (kg):	<1.0 kg
Lifetime:	50,000 hrs
Mounting type:	Track Mounted (3-Circuit / 3-Circuit DALI, sold separately)
Finish:	Matt White, Matt Black
Emergency:	Remote 3-hour emergency conversion on request
Operating voltage:	230V (350mA)
IP Rating:	IP20
Light source:	Low Power 12W LED
Driver:	Fixed Output, Mains Dimmable
Colour temperature:	2700K, 3000K, 4000K
Beam Angle:	11°, 20°, 34°
Diffuser:	N/A
CRI:	90+
Optional Extras:	Antiglare accessories: Honeycomb louver Baffle finishes: Black, White, Gold



TRACKSPOT DIMENSIONS (MM)



POLAR CURVE STANDARD BEAM 24° 2700K

CHOOSE A PROJECT SPECIFIC LIGHT OUTPUT

LED Light Source*	Beam Angle	Wattage	Output
TOOB Low Power LED	15°	12W	1311lm
TOOB Low Power LED	24°	12W	1429 lm
TOOB Low Power LED	36°	12W	1402 lm
TOOB Low Power LED	55°	12W	1325 lm

*Lumen outputs at 4000K. Colour temperature choice will affect output.



60 YEARS
IN LIGHT

FOR MORE INFORMATION OR TO TALK ABOUT A PROJECT:

CALL: +44 (0) 1235 55 37 69
EMAIL: sales@optelma.co.uk

ISSUE DATE: 27/07/20

HEAD OFFICE
The Science Park
Abingdon
Oxfordshire
OX14 3YT

SHOWROOM
23 Bowling Green Lane
Clerkenwell
London
EC1R 0BD

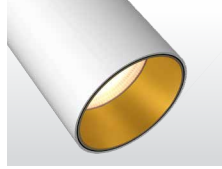
FRANCE
28 Rue Charles
Baudelaire
75012 Paris
France

SWITZERLAND
St. Urbangasse 53
Postfach 1738
CH-4502 Solothurn
Switzerland

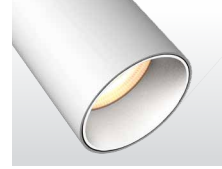
TOOB 60 TRACKSPOT COMPONENTS



BLACK BAFFLE
Reflector/Baffle in Matt Black finish, suitable for anti-glare.



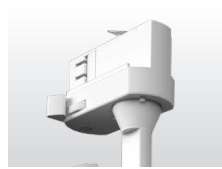
GOLD BAFFLE
Reflector/Baffle in metallic gold finish.



WHITE BAFFLE
Reflector/Baffle in Matt White finish.



HONEYCOMB LOUVER
Black honeycomb louver anti-glare accessory.



POWERGEAR TRACK ADAPTOR
230V Powergear track. Alternatives adaptors on request.



3 CIRCUIT TRACK
230V Powergear 3-circuit track, sold separately..



3 CIRCUIT DALI TRACK
230V Powergear 3-circuit DALI track, sold separately.



RECESSED 3 CIRCUIT TRACK
230V Powergear 3-circuit track, sold separately..



RECESSED 3 CIRCUIT DALI TRACK
230V Powergear 3-circuit DALI track, sold separately.



**60 YEARS
IN LIGHT**

**FOR MORE INFORMATION
OR TO TALK ABOUT A PROJECT:**

CALL: +44 (0) 1235 55 37 69
EMAIL: sales@optelma.co.uk

ISSUE DATE: 27/07/20

HEAD OFFICE
The Science Park
Abingdon
Oxfordshire
OX14 3YT

SHOWROOM
23 Bowling Green Lane
Clerkenwell
London
EC1R 0BD

FRANCE
28 Rue Charles
Baudelaire
75012 Paris
France

SWITZERLAND
St. Urbangasse 53
Postfach 1738
CH-4502 Solothurn
Switzerland

TOOB 60 TRACKSPOT SPECIFICATION CODE

AAAA - BB/C/D/E - F/GGG - HHH/I								
AAAA PRODUCT ID	BB MOUNTING	C FINISH	D DRIVER	E BEAM ANGLE	F DIRECT LED	GGG CRI/ COLOUR	HHH DIAMETER/ SIZE (mm)	I EMERGENCY
TOOB	TM	B W X*	F M D X*	T S W	S	927 930 940	64	N/A

*	X Custom Options - specify details alongside code
PRODUCT ID	TOOB Toob 60 Trackspot
MOUNTING	TM Track Mounted (Powergear)
FINISH	B Matt Black tubular housing, W Matt White tubular housing
DRIVER	F Fixed Output, M Mains Dimmable, D DALI Dimmable
BEAM ANGLE	T Tight Beam 11°, S Standard Beam 20°, W Wide Beam 34°
DIRECT LED	S Standard 12W LED
CRI / COLOUR	927 CRI 90+ Colour 2700K, 930 CRI 90+ Colour 3000K, 940 CRI 90+ Colour 4000K
DIAMETER / SIZE	Luminaire diameter in millimetres
EMERGENCY	N/A

STANDARD

Standard fixed option products for quick and easy specification. Point source LED and Linear LED solutions, organised into Track & Spots, Downlights, Recessed, Surface, Suspended and Wall mounted solutions.

MADE-TO-MEASURE

Versatile systems and luminaires with custom specifications for project-specific lighting. Available in custom sizes and lengths, with many options including curves, corners, finishes, integrated accessories and more.

BESPOKE

Bespoke luminaires demonstrating completely custom project solutions, designed with the clients from concept to delivery. Learn about the design process and inspire your next bespoke lighting project.



60 YEARS
IN LIGHT

FOR MORE INFORMATION OR TO TALK ABOUT A PROJECT:

CALL: +44 (0) 1235 55 37 69
EMAIL: sales@optelma.co.uk

ISSUE DATE: 27/07/20

HEAD OFFICE
The Science Park
Abingdon
Oxfordshire
OX14 3YT

SHOWROOM
23 Bowling Green Lane
Clerkenwell
London
EC1R 0BD

FRANCE
28 Rue Charles
Baudelaire
75012 Paris
France

SWITZERLAND
St. Urbangasse 53
Postfach 1738
CH-4502 Solothurn
Switzerland